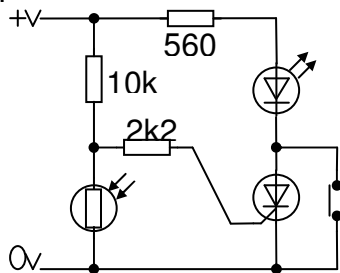


## Questions on Latches

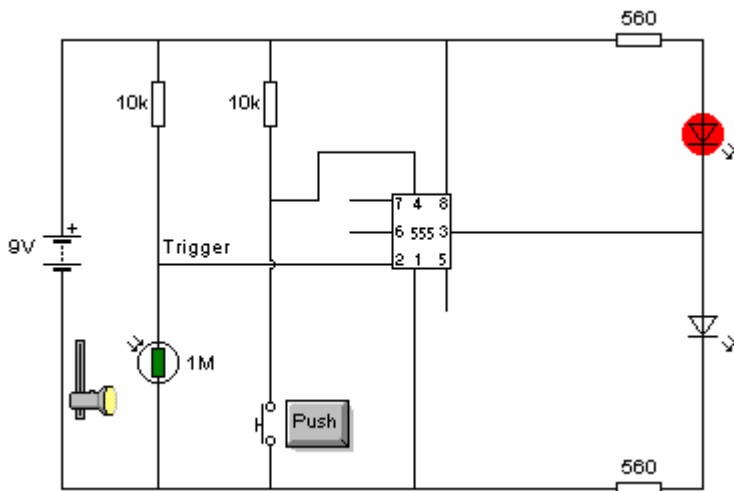
### Q1

- In the circuit below what is the effect of shading the LDR?
- What is the purpose of the push to make switch?
- What is the purpose of the 2.2k resistor?
- What is the purpose of the 10k resistor?
- What is the purpose of the 560R resistor?



### Q2

- Name the circuit shown below.
- What is the purpose of the push button switch?
- What happens when the LDR is lit brightly?



### Q3

In a monostable circuit, the time the output is high (LED lit) is determined by the values of the capacitor and resistor on pins 6 and 7 (Threshold and Discharge). The formula is  $T = R \times C$ . If R has the value 100k and C has the value 100uF, how long is the output LED on for?

### Q4

Identify components A, B, C, D, E.  
What is the purpose of components A and D?

